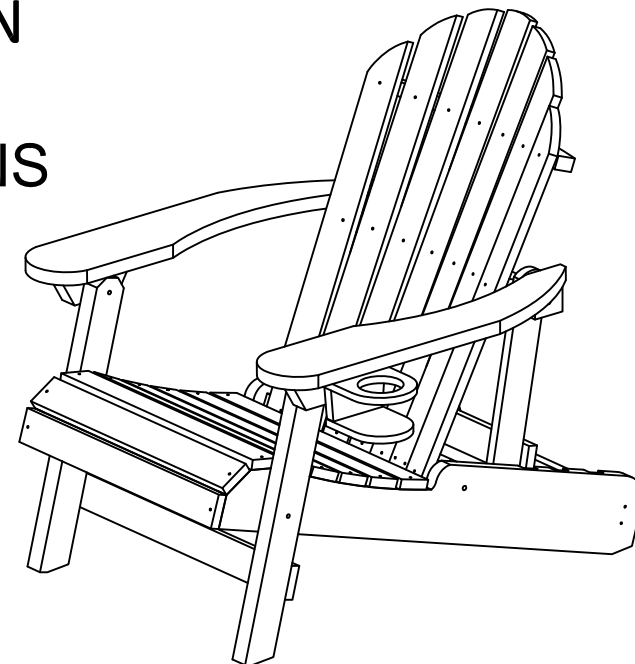


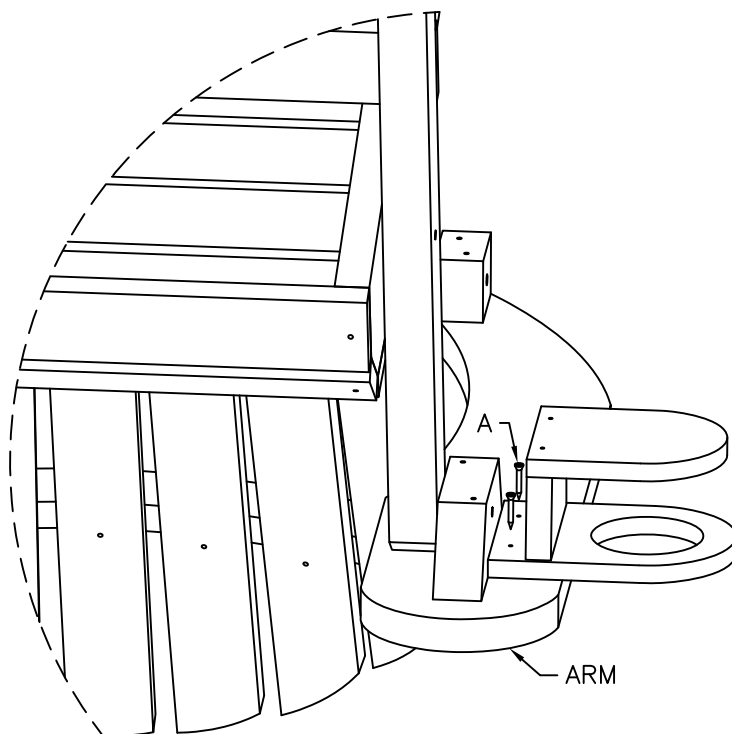
Do not fully tighten the bolts until all bolts are started. Once all bolts are inserted, then go back and tighten all the bolts.

ADIRONDACK COLLECTION CUP HOLDER ASSEMBLY INSTRUCTIONS



HARDWARE

A  x2



1) With chair turned over, attach
Cup Holder with two A screws

(Cup Holder can be installed on either arm)

CUPH1
12.12.13

highwood[®]
NATURE'S CLOSEST RIVAL

For information on Care and Cleaning your **highwood**[®] product visit www.highwood-usa.com/care.html
Visit our Website and Facebook page to see more **highwood**[®] products!
www.highwood-usa.com www.facebook.com/highwoodUSA

PAGE 1 OF 1